

**PLEASE CHECK WWW.MOLEX.COM FOR LATEST PART INFORMATION**

**Part Number:** [0006021103](#)  
**Status:** **Active**  
**Overview:** [flat blade](#)  
**Description:** Flat Blade Appliance Motor Switch Crimp Housing, 10 Circuit, 10 Circuits

**Documents:**

[3D Model](#) [Product Specification PS-6313-\\*\\*\\*\\* \(PDF\)](#)  
[Drawing \(PDF\)](#) [RoHS Certificate of Compliance \(PDF\)](#)

**Agency Certification**

CSA LR19980  
 UL E29179

**General**

Product Family Crimp Housings  
 Series [6313](#)  
 Comments Tamper-Proof Latch  
 Overview [flat blade](#)  
 Product Name Flat Blade

**Physical**

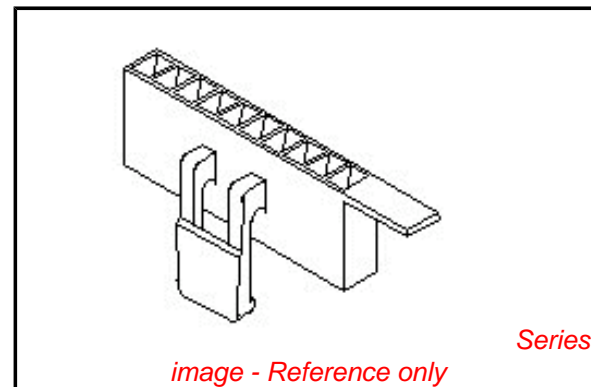
Circuits (maximum) 10  
 Color - Resin Natural  
 Flammability 94V-2  
 Gender Female  
 Glow-Wire Compliant No  
 Material - Resin Nylon  
 Number of Rows 1  
 Packaging Type Bag  
 Panel Mount No  
 Pitch - Mating Interface (in) 0.220 In  
 Pitch - Mating Interface (mm) 5.59 mm  
 Stackable No  
 Temperature Range - Operating -40°C to +75°C

**Material Info**

Old Part Number 6313-3-10

**Reference - Drawing Numbers**

Product Specification PS-6313-\*\*\*\*  
 Sales Drawing SD-6313-3-10



**EU RoHS**

**ELV and RoHS  
 Compliant**  
**REACH SVHC  
 Contains SVHC: No**  
**Halogen-Free  
 Status  
 Not Reviewed**

**China RoHS**



**Need more information on product  
 environmental compliance?**

Email [productcompliance@molex.com](mailto:productcompliance@molex.com)  
 For a multiple part number RoHS Certificate of  
 Compliance, [click here](#)

Please visit the [Contact Us](#) section for any  
 non-product compliance questions.

**Search Parts in this Series**

[6313Series](#)

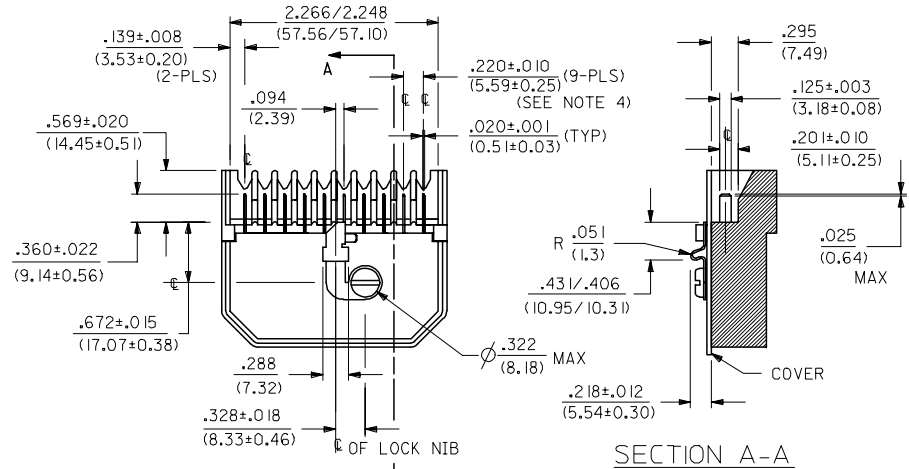
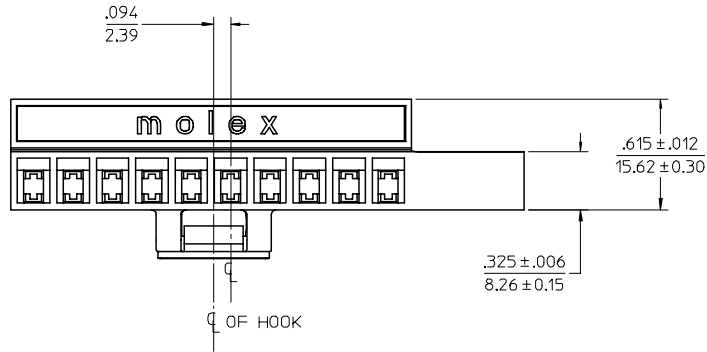
**Mates With**

[Appliance Motor](#)

**Use With**

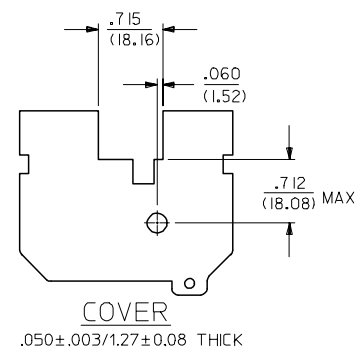
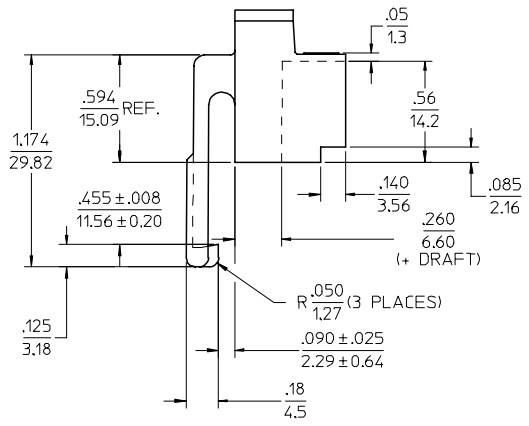
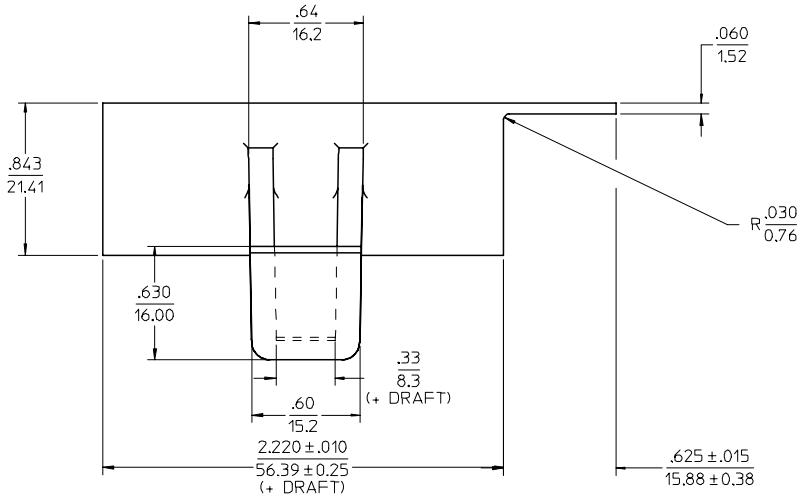
[1508 Crimp Terminals](#), [43374](#)

13 12 11 10 9 8 7 6 5 4 3 2 1



MOTOR SWITCH  
SCALE 1:1

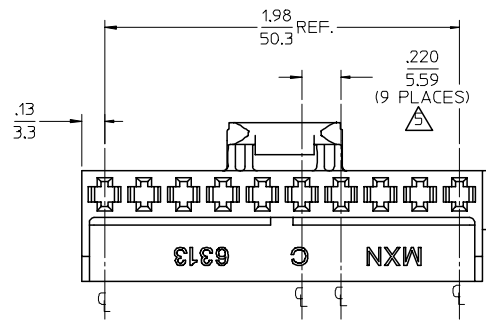
SECTION A-A



COVER

- NOTES:  
 1. MATERIAL: NYLON(PA66), UL94V-2, COLOR: SEE CHART  
 2. FINISH: NONE  
 3. PRODUCT SPECIFICATION: PS-6313-000  
 4. THIS CONNECTOR HOUSING FOR USE WITH TERMINALS:  
 -ENG. NO. 1508-0009  
 5. TOLERANCE IS NOT ACCUMULATIVE.  
 6. THIS PART CONFORMS TO CLASS B REQUIREMENTS  
 OF COSMETIC SPECIFICATION PS-45499-002.

	MATERIAL NUMBER	ENGINEERING NUMBER	HOUSING COLOR
	006-02-1103	6313-3-10	NATURAL (WHITE/TRANSLUCENT)
OBSOLETE	006-02-1104	6313-3-10-RD	RED
	050-29-1555	6313-3-10-BU	BLUE



OBS. P/N 006-02-1104	DESCRIPTION
FC NO: UCP2007-2085	2007/04/13
DRAWN/PRD: DER	2007/04/16
CHKD: AEL/HAG	2007/04/19
APPR: FSM/TH	
REV	
D1	

QUALITY SYMBOLS	GENERAL TOLERANCES (UNLESS SPECIFIED)
$\nabla=0$	mm INCH
$\nabla=0$	4 PLACES ± --- ± ---
	3 PLACES ± --- ± .005
	2 PLACES ± 0.13 ± .010
	1 PLACE ± 0.25 ± ---
	ANGULAR ±1/2°
	DRAFT WHERE APPLICABLE MUST REMAIN WITHIN DIMENSIONS

DRIVEN BY	DATE
PEARSON	1997/04/24
CHECKED BY	DATE
EDGLEY	1997/04/24
APPROVED BY	DATE
EDGLEY	1997/04/24
MATERIAL NO.	
SEE CHART	

SCALE	DESIGN UNITS	THIRD ANGLE PROJECTION
2:1	INCH	
HOUSING, CONNECTOR FOR MOTOR SWITCH APPLICATION		
MOLEX INCORPORATED		
DOCUMENT NO.	SHEET NO.	
SD-6313-3-10	1 OF 1	

12 11 10 9 8 7 6 5 4 3 2 1